

high quality & cost effective solutions...



www.oilwellsolutions.com

About Us

Since 2003, Oilwell Solutions has given downhole tool service and equipment groups a competitive advantage by providing engineering consulting and manufacturing services, as well as downhole tool systems and components.

Leveraging more than 40 years of experience in drilling tool engineering with a manufacturing center in Houston allows us to identify and provide high quality and cost effective solutions to meet the unique needs of the customer.

Products & Services

EM-MWD Gap Subs

Custom HP/HT Electrical Connectors

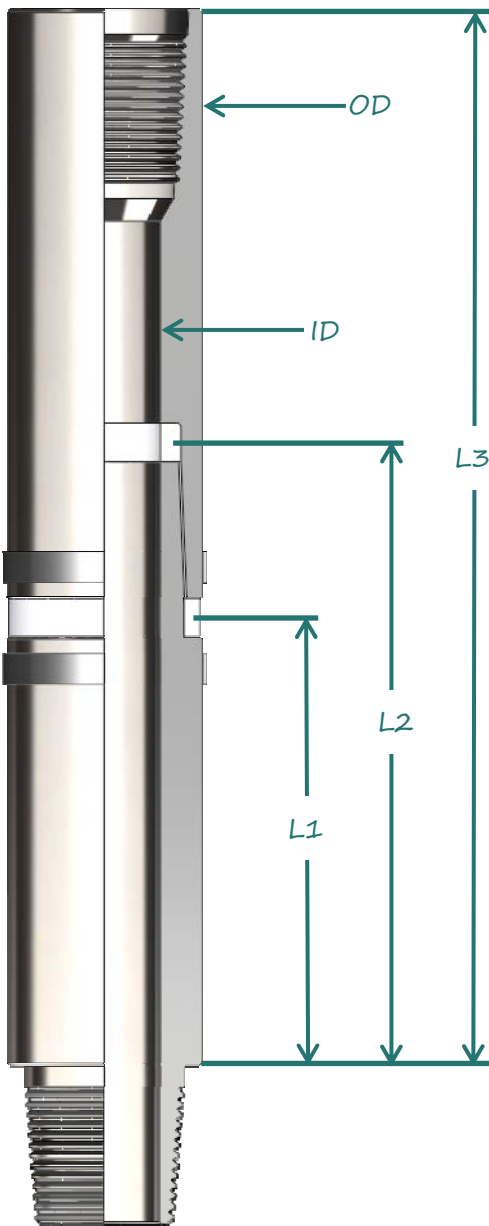
Mechanical Engineering Consulting

Contract Manufacturing

EM-MWD Gap Sub

Features:

- Repairable by customer
- No ceramic coated threads
- Customizable lengths, mounts & ports available
- Built for years of reliable service
- No electrical resistance degradation
- Isolator system comprised of 6 materials
- OD hard banding on smaller sizes protects isolator from damage



Specifications

O.D.	3 ³ / ₄ "	4"	4 ³ / ₄ "	6 ¹ / ₂ "
I.D.	2.31 in	2.31 in	2.69 in	2.81 in Or 3 in Special Order
L3	46 in	46 in	46 in	46 in
L1	21 in	21 in	21 in	19.75 in
L2	25.4 in	25.4 in	25.4 in	25.4 in
End Threads	2-7/8" SL H-90 Pin X Box or Special	2-7/8" SL H-90 Pin X Box or Special	3-1/2" IF Pin X Box or Special	4-1/2" XH Pin X Box or Special
Maximum Temperature	350°F	350°F	350°F	350°F
Maximum Down-Hole Pressure	25,000 psi	25,000 psi	25,000 psi	25,000 psi
Maximum Pull and Reuse	165,000 lbs	165,000 lbs	242,000 lbs	375,000 lbs
Maximum Pull before Failure	295,000 lbs	295,000 lbs	469,000 lbs	1,168,000 lbs
Maximum Operating Torque	7,600 lbs-ft	7,600 lbs-ft	12,200 lbs-ft	26,500 lbs-ft
Maximum Dogleg Severity (Rotating)	20°/100 ft	20°/100 ft	18°/100 ft	12°/100 ft
Maximum Dogleg Severity (Sliding)	40°/100 ft	40°/100 ft	36°/100 ft	24°/100 ft

Premium Isolation Subs Since 2009

www.oilwellsolutions.com

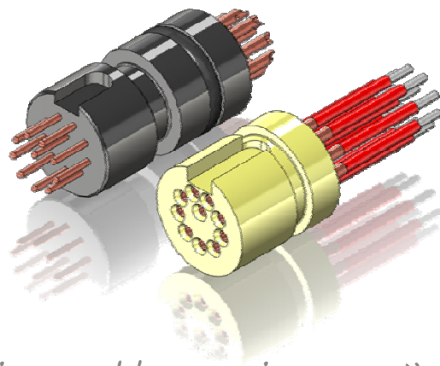
Custom HP/HT Electrical Connectors

Oilwell Solutions' custom high pressure/high temperature (HP/HT) electrical connectors are injection-molded and machined multi-pin or single-pin depending on your specific application

Features:

- *Connector bodies made of Victrex Peek for excellent insulative properties and mechanical stability across a broad temperature range*
- *Pins are made of Beryllium Copper with Gold over Nickel plating*
- *Thermoplastic connectors perform better than glass-to-metal designs at higher temps*
- *Industry standard values for insulation resistance and current capacity met*
- *Mating contact receptacle design with blind connect option*
- *Multiple pin terminations available*

Recent Project Completed for MWD Company



Construction: 10 pins x solder cup in 0.562" diameter body

Operating Pressure: 23,500 psi

Operating Temp: 200°C

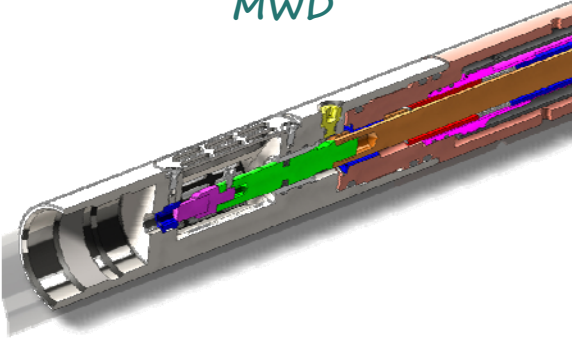
Application Specific Solutions That Meet Your Needs

www.oilwellsolutions.com

Services

Mechanical Engineering Consulting

MWD

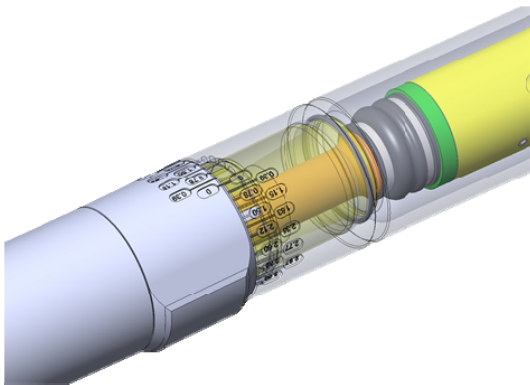


Contract Manufacturing

Puma 800 Lathe
12.5" Hollow Spindle



Drilling Tools



Toyota FV 1480-50
With 4th Axis



Well Completion & Intervention



Doosan TT 1800
Twin Spindle w/ Live Tools, Bar Feed & Parts Unloader



Competitive Pricing & Unsurpassed Quality

www.oilwellsolutions.com



6633 Portwest Drive, Suite 160
Houston, TX 77024



info@oilwellsolutions.com



(713) 554-3254